

## H201-UP

### Stage compatibility: fits on Upright Microscopes

- Part number of the objectives in use must be specified in purchase order
- XY stage model and serial number must be specified in purchase order

### The chamber can fit:

- 35/60 mm Petri
- 1x3 in. / 1x2 in. chambered slides

### Features:

- Suitable for dipping lens
- Manageable chamber thanks to the opening of the lid to introduce the objective
- Magnets allow easy interchange chamber insert
- Magnetic locks hold Petri, Slides in correct position inside the chamber
- Perfusion holes: 12 channels for 2.0 mm O.D. tubings are available
- To control the humidity into the chamber humidity module is recommended: HM-ACTIVE



### AVAILABLE INSERTS

<b>UP-1x35-M</b>	#1 35mm Petri-dish
<b>UP-1xGS-M</b>	#1 1x3 in. chamber slide
<b>UP-1xLABTEK-M</b>	#1 Lab-Tek 1x2 in. chambered cover glass
<b>UP-1xLABTEK-II-M</b>	#1 Lab-Tek II 1x2 in. chambered cover glass
<b>UP-1x60-M</b>	#1 60mm Petri-dish



**H201-UP**

H201-UP - Components



**UP-1xLABTEK-II-M**  
For #1 Lab-Tek II 1"x2"  
chambered cover glass



**UP-1x60-M**  
For #1 60mm petri-dish



**UP-1x35-M**  
For #1 35mm petri-dish

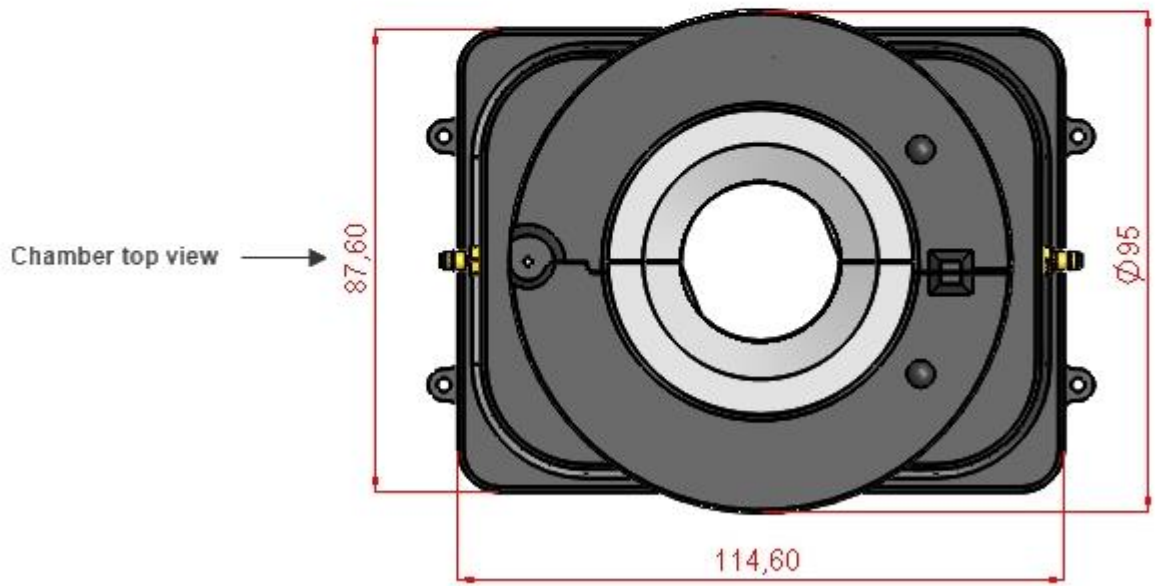
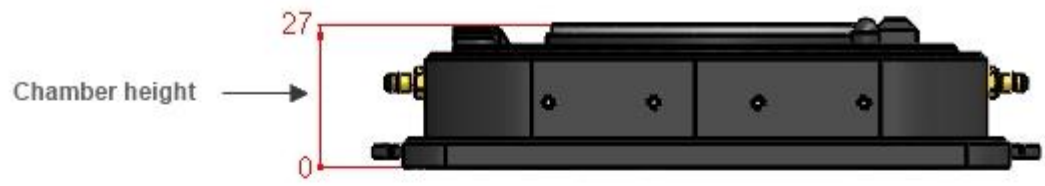


**UP-1xGS-M**  
For #1 1"x3" chamber slides slide



**UP-1xLABTEK-M**  
For #1 Lab-Tek-1"x2"  
chambered cover glass

H201-UP - Available inserts



H201-UP - Dimensions